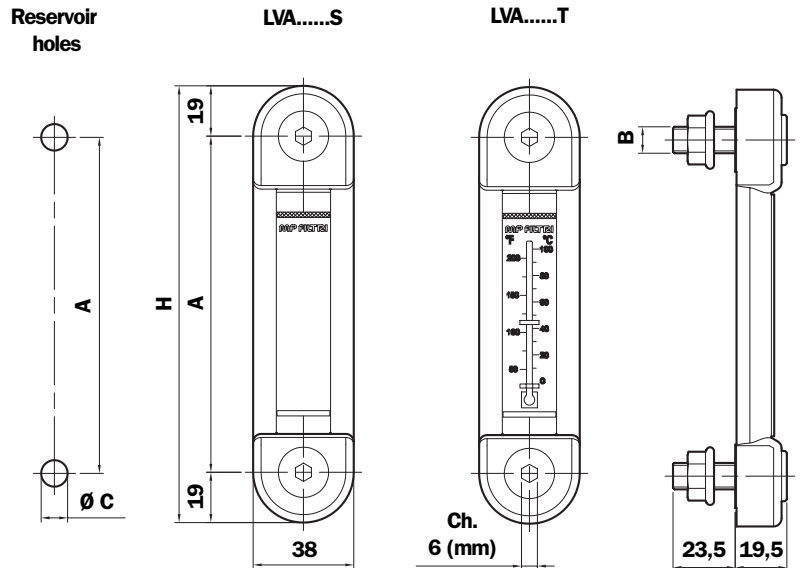
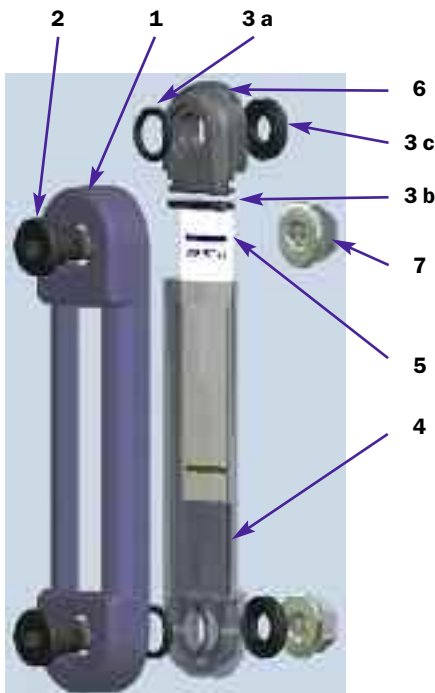


Series LVA

Dimensions



LVA (Materials)

- 1 - Cover: Polyamide
- 2 - Screws: Galvanised Steel
- 3 - Seals: NBR
FPM
- 4 - Lens: Polyamide
- 5 - Nameplate: Painted Aluminium
- 6 - Terminal cap: Nylon
- 7 - Nuts: Galvanised Steel

Weight

- LVA10: 0,13 Kg
- LVA20: 0,18 Kg
- LVA30: 0,23 Kg

Quantity per pack Number of Parts

LVA	10
------------	----

Size	A	H
LVA10	76	114
LVA20	127	165
LVA30	254	292

Screw tightening torque: 15Nm

Type	B	C
LVA.....M10	M10	10,5
LVA.....M12	M12	12,5
LVA.....U38	3/8" UNC	10
LVA.....U12	1/2" UNC	13,5

Ordering information

LVA20T.....S01



Level indicator	1	2	3	4	5	6
LVA	<input type="checkbox"/>	<input type="checkbox"/>	<input type="checkbox"/>	<input type="checkbox"/>	<input type="checkbox"/>	<input type="checkbox"/>
Example: LVA	20	T	A	P	M10	S01

1 - Size

- 10
- 20
- 30

2 - Accessories

- S** Without thermometer
- T** With thermometer

3 - Seal

- A** NBR
- V** FPM

4 - Cover

- P** Cover Polyamide

5 - Connection

- M10** Screws M10
- M12** Screws M12
- U38** Screws 3/8" UNC
- U12** Screws 1/2" UNC

6 - Options

- S01** With nuts - Tag MP Filtri
- S02** Without nuts - Tag MP Filtri